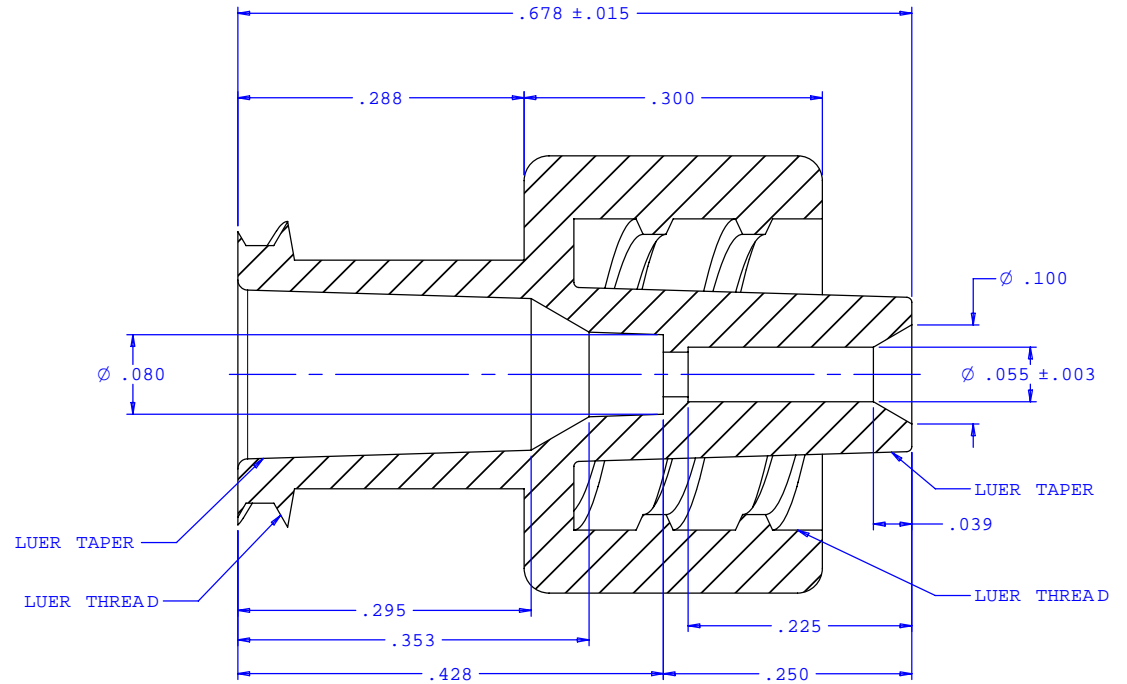
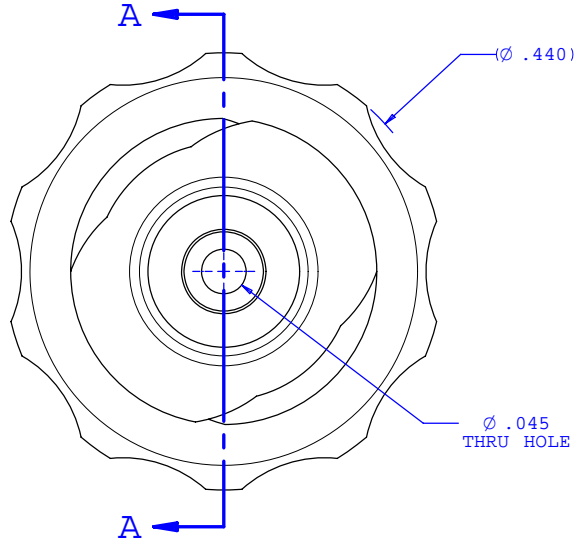
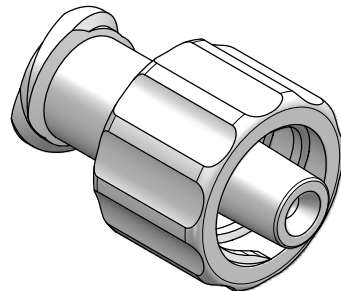


NOTE: FOR MORE DETAILS SEE YOUR V.P.CUSTOMER SERVICE REP.

REVISIONS			
REV.	DESCRIPTION	DATE	APPROVED
A	ECO #0027 06-08-00	08-22-06	Rick C.



SECTION A-A



UNLESS OTHERWISE SPECIFIED DIMENSIONS ARE IN INCHES TOLERANCES ARE:		VALUE PLASTICS, INC.	
FRACTIONS ±	DECIMALS .XX ±.01 .XXX ±.005 .XXXX ±.001	ANGULAR ±1°	PART NUMBER: CF141
DO NOT SCALE DRAWING		DESCRIPTION: MALE TO FEMAL LOCKING LUER WITH $\varnothing .055$ BORE AND $\varnothing .045$ BOND STOP	
DRAWN BY: Frank Lombardi	DATE: 06-05-06	SIZE: B	SCALE: NTS
Engineer Manager: Rick Cairns		DRAWING NUMBER: 1008952	REV. A
© 2006 VALUE PLASTICS, INC.			SHEET: 1 OF 1

FOR REFERENCE ONLY